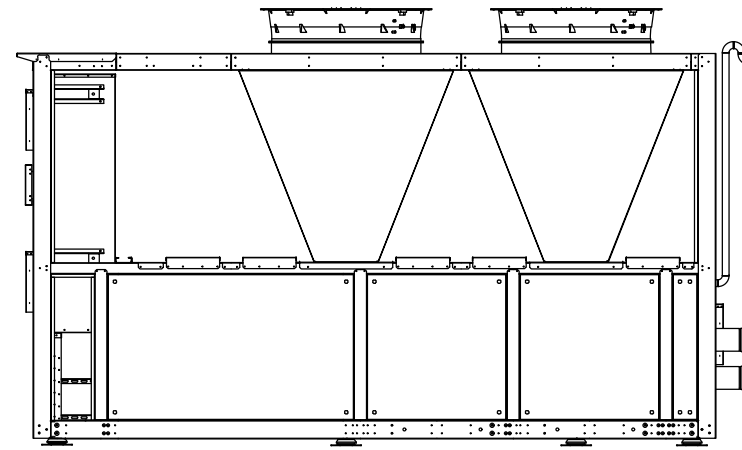
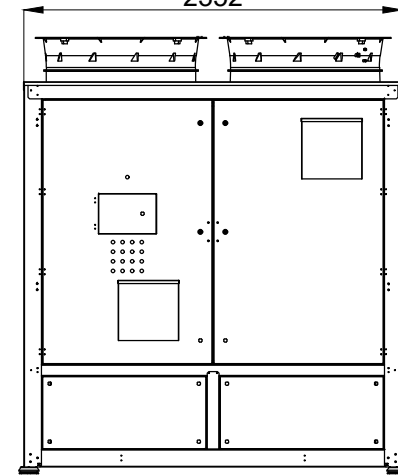


BACK VIEW



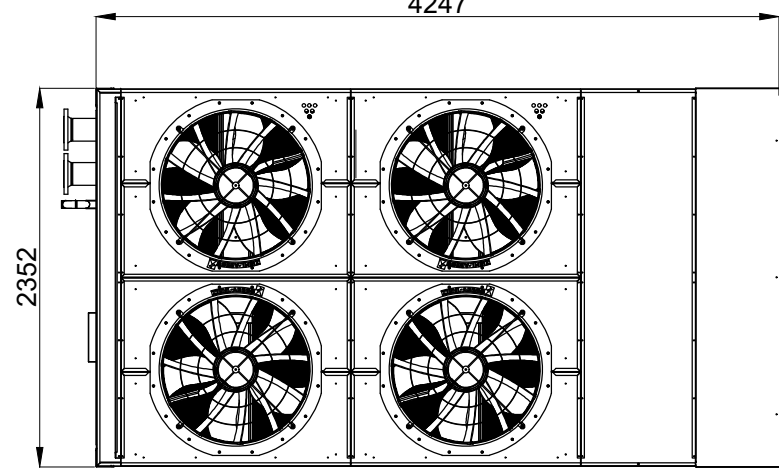
RIGHT SIDE VIEW

2352



TOP VIEW

4247

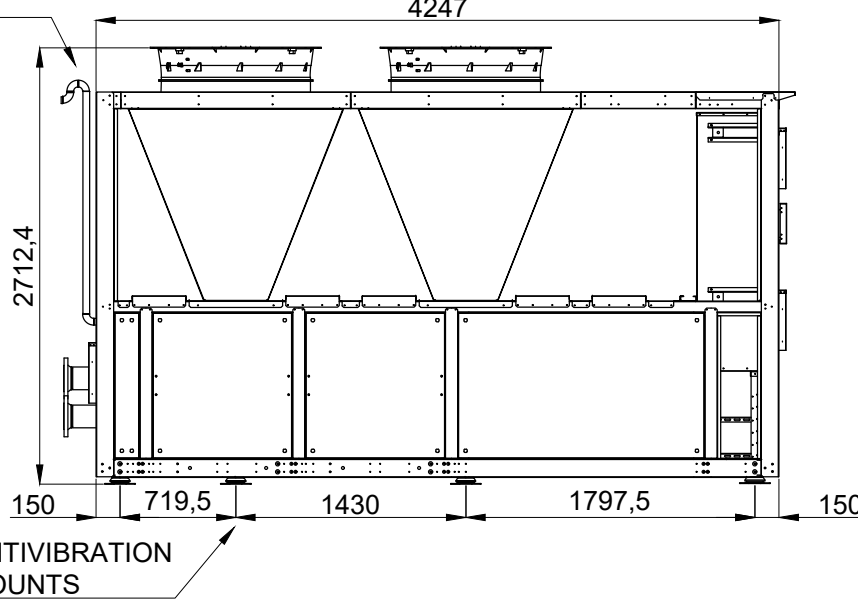
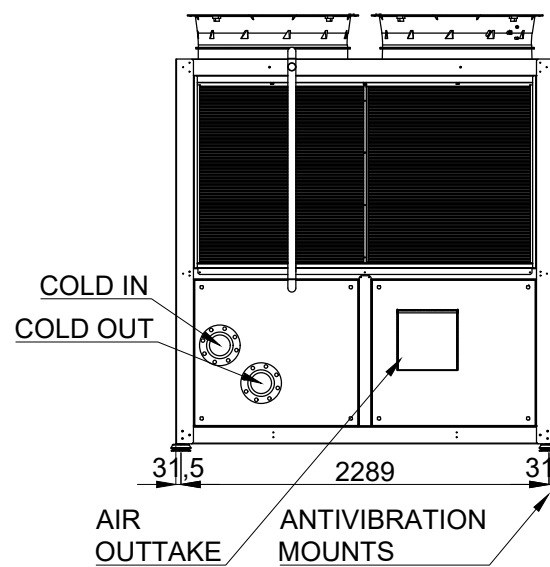


LEFT SIDE VIEW

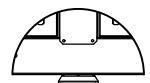
SAFETY VALVE
BLOW OFF

FRONT VIEW

4247



DETAIL



±200mm

REMARK:
ON FRONT VIEW, POSITION OF THE
MOUNTS, EXCEPT THE FIRST AND
THE LAST, CAN VARY FOR ±200mm
ALONG SIDE OF UNIT

	NAME:	SIGNATURE:
DRAWN:		
CHK'D:		
APPV'D:		

TITLE:	VP4 + EX
DATE:	



A4
SCALE: 1:65