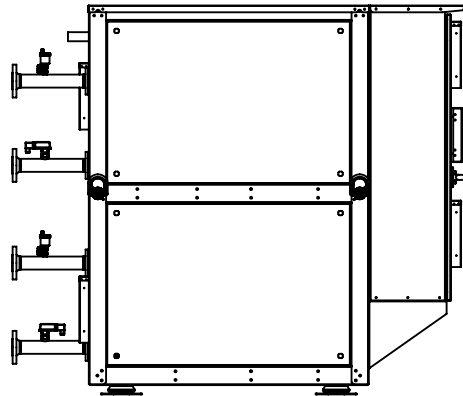
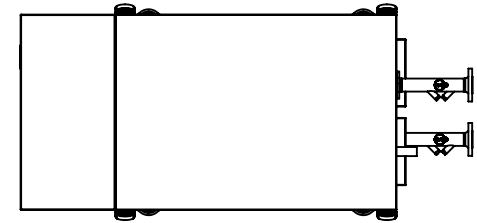


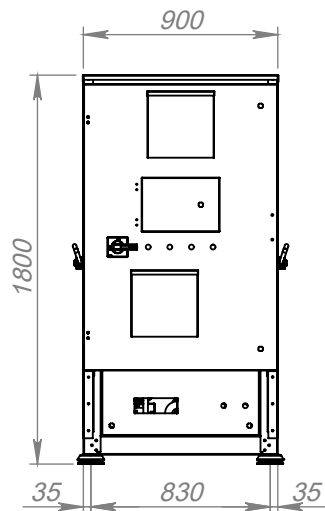
BACK VIEW



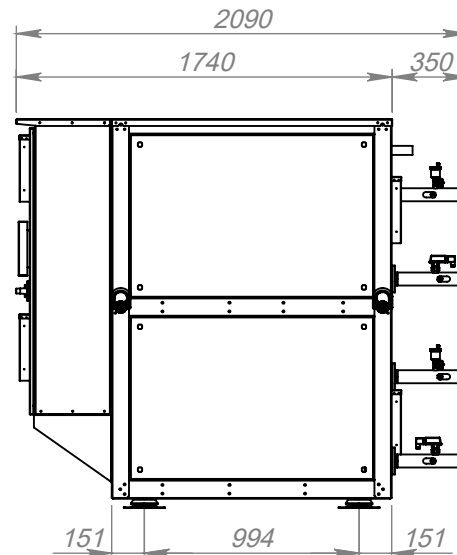
TOP VIEW



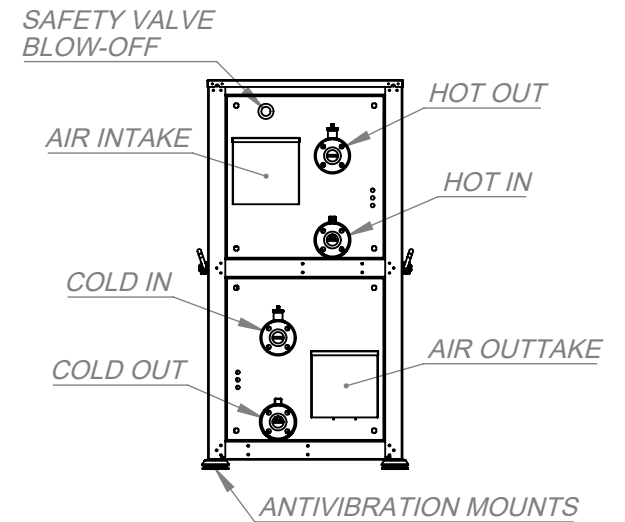
LEFT VIEW



FRONT VIEW



RIGHT VIEW



	NAME:	SIGNATURE:	TITLE:	A4
DRAWN:	Mate Krišto		WW-HT-A1D3F2	SCALE:
CHK'D:				1:XX
APPV'D:		DATE: 21/06/2021		SHEET 1 OF 1