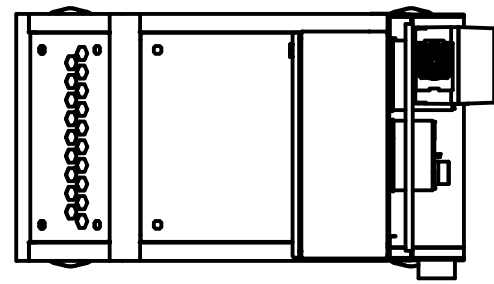
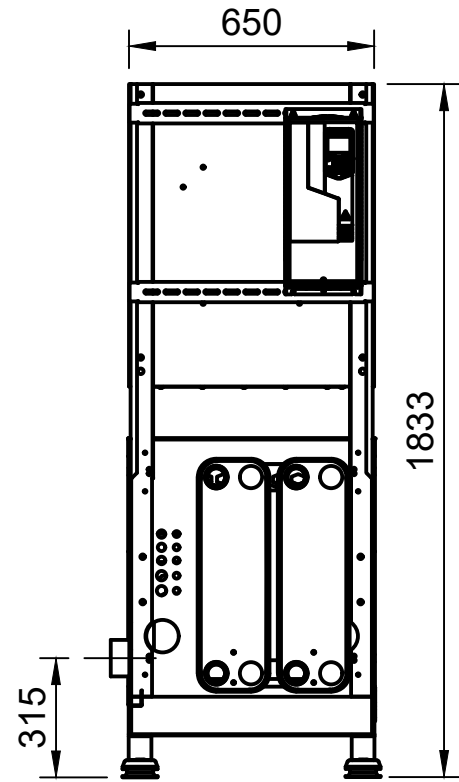


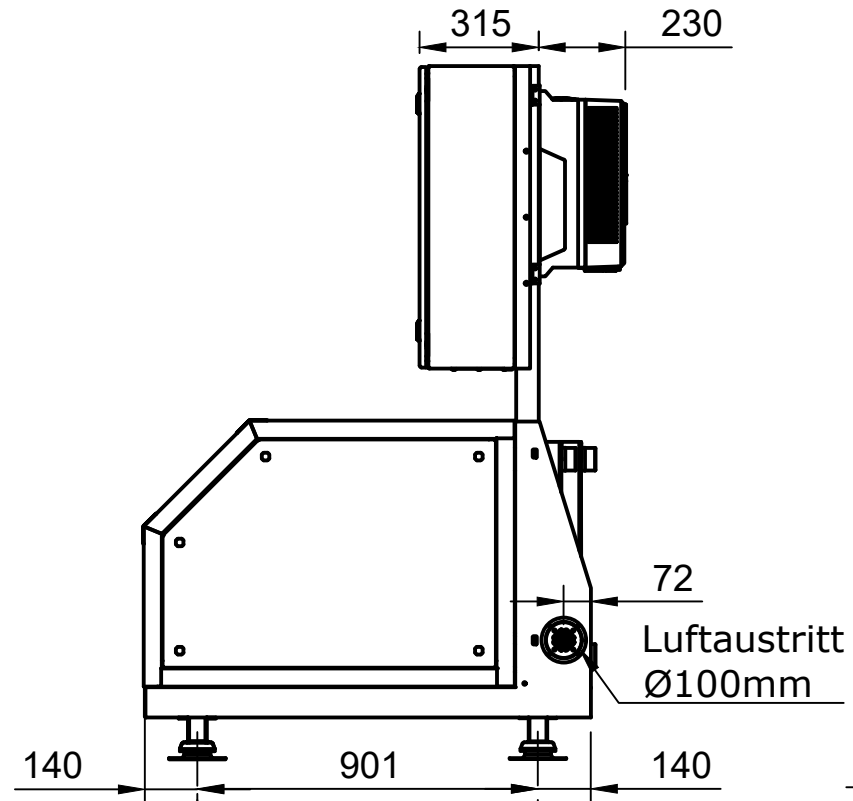
DRAUFSICHT



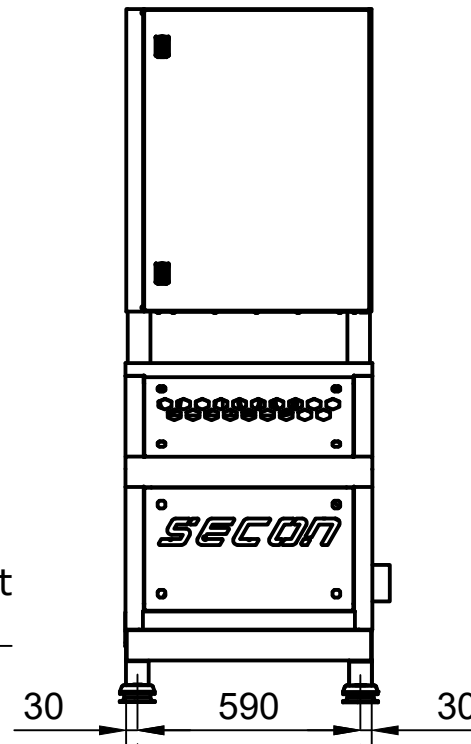
RÜCKANSICHT



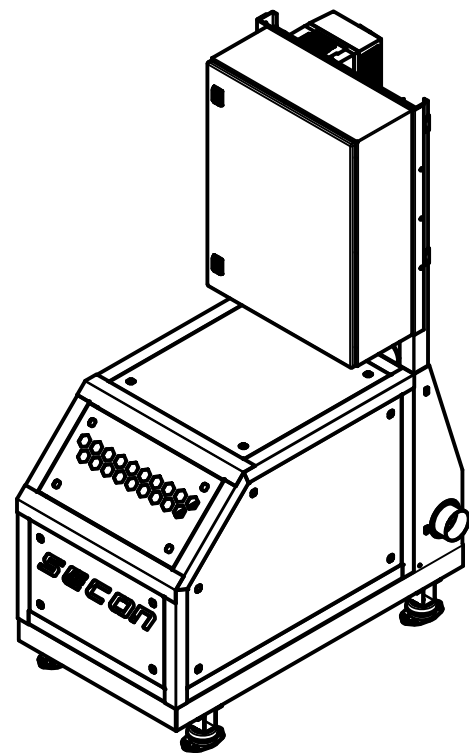
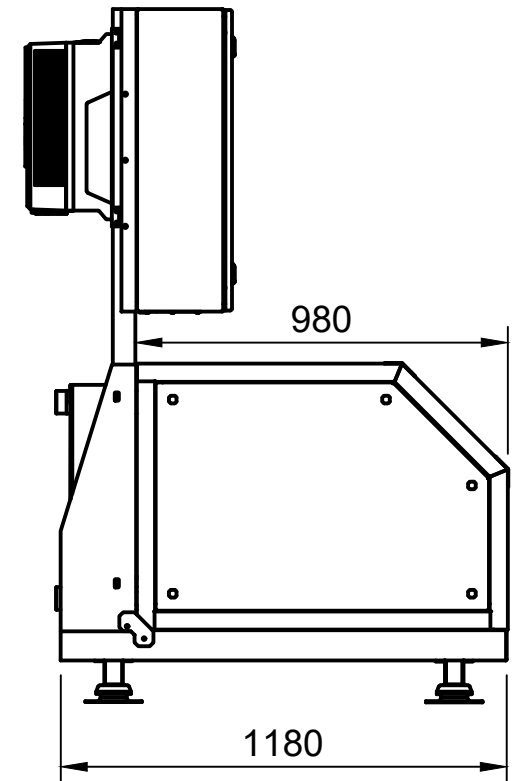
RECHTS




VORDERANSICHT



LINKS



Dept.	Technical reference	Created by <b>Lennart Siems 05.10.2022</b>	Approved by
		Document type	Document status
		Title <b>FXP Standardausführung</b>	DWG No.
Rev.	Date of issue	Sheet <b>1/1</b>	