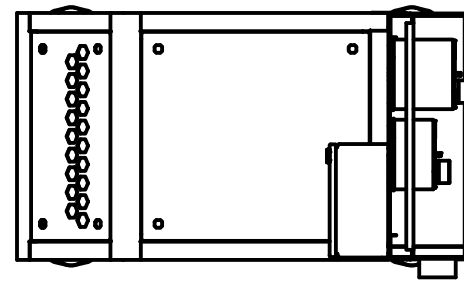
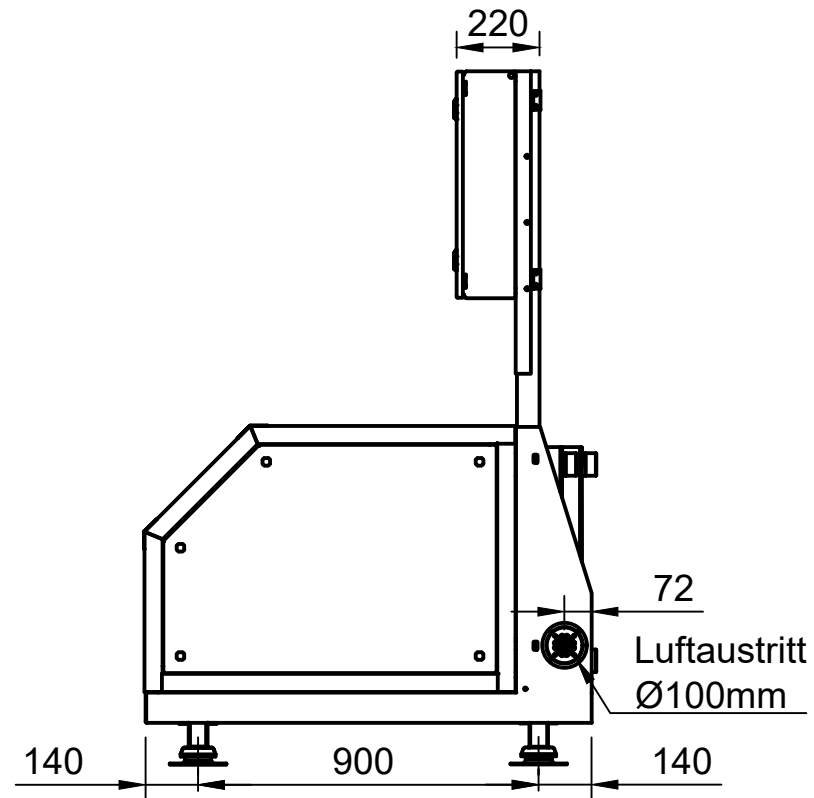


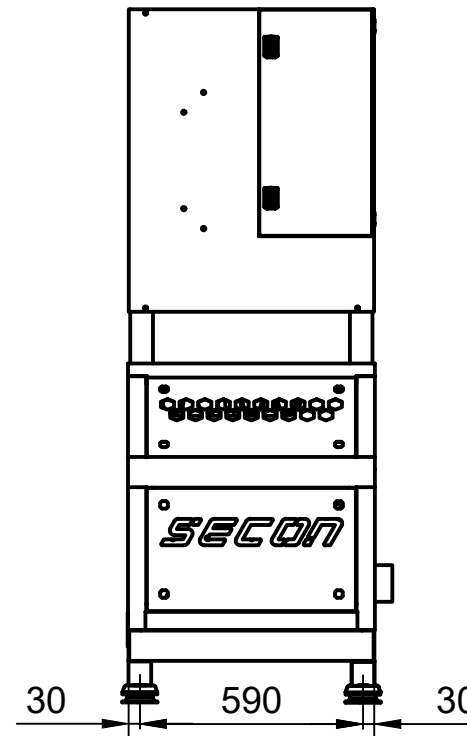
DRAUFSICHT



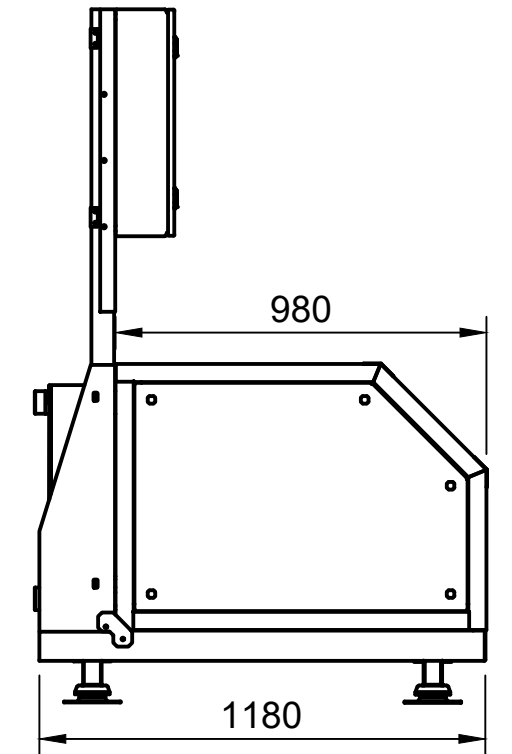
RECHTS



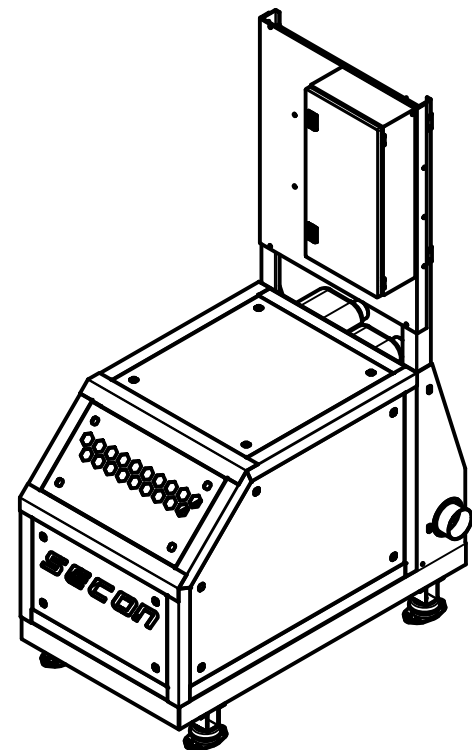
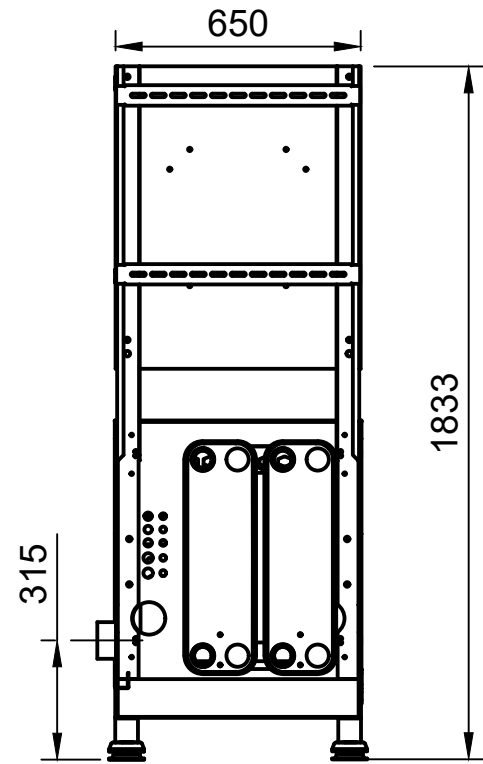
VORDERANSICHT



LINKS



RÜCKANSICHT



| | | | |
|--------------|---------------------|---|---------------------|
| Dept. | Technical reference | Created by Lennart Siems 05.10.2022 | Approved by |
| SECON | | Document type | Document status |
| | | Title FXP OEM mit Klemmkasten | DWG No. |
| | Rev. | Date of issue | Sheet 1/1 |