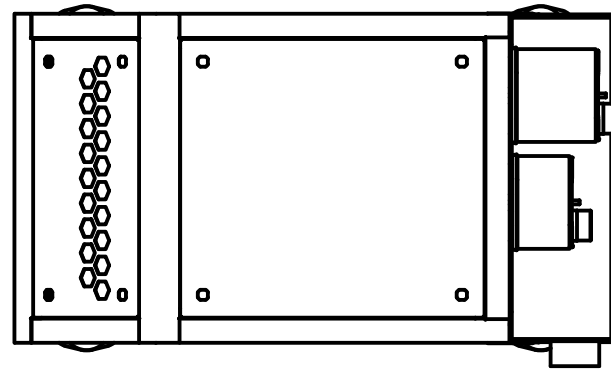
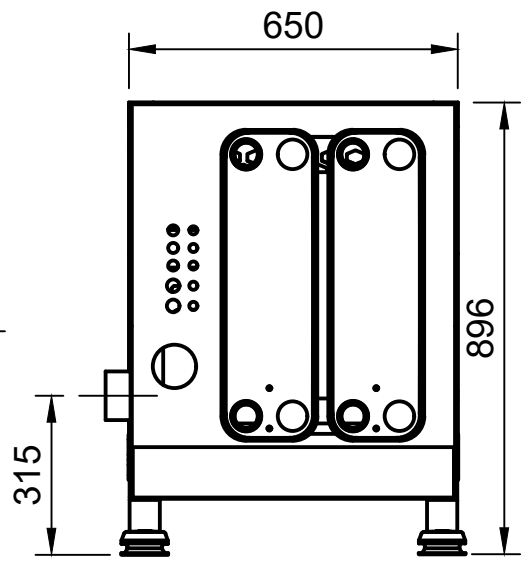


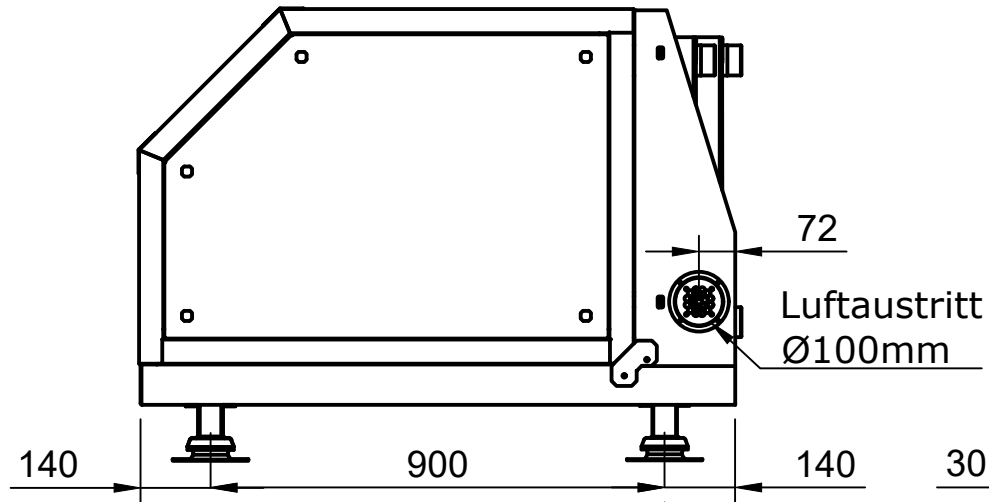
DRAUFSICHT



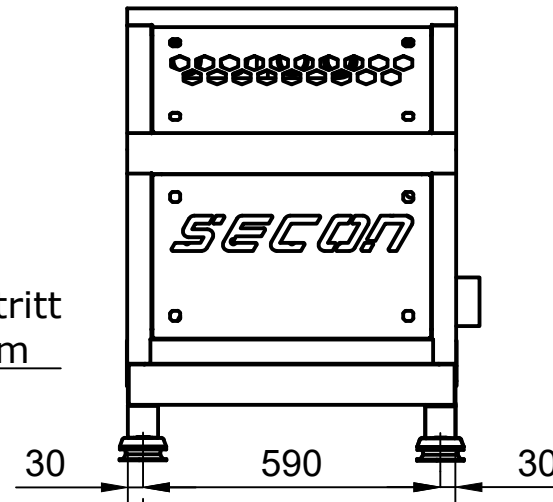
RÜCKANSICHT



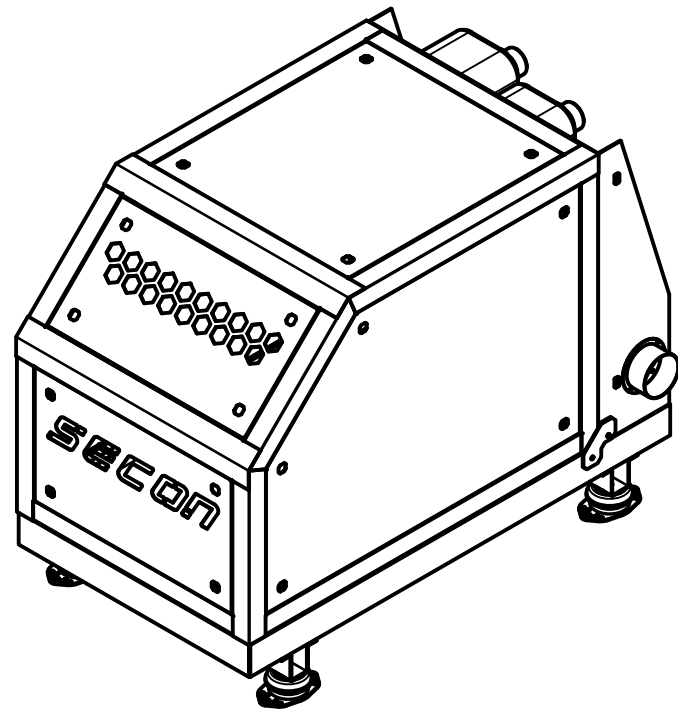
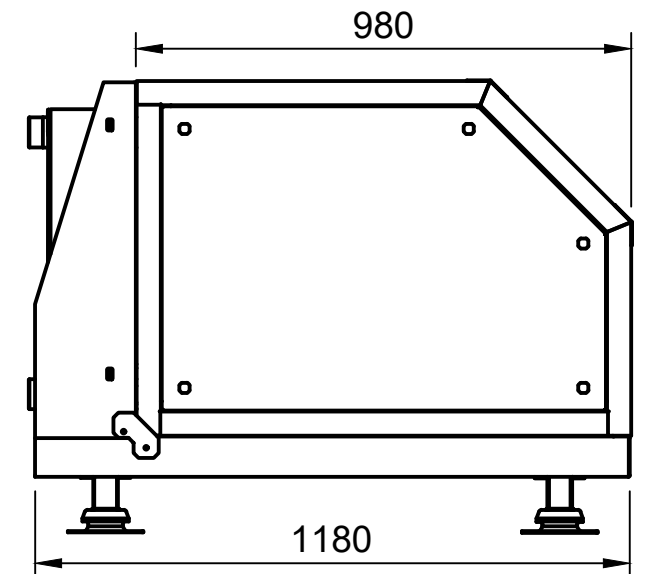
RECHTS




VORDERANSICHT



LINKS



Dept.	Technical reference	Created by Lennart Siems 05.10.2022	Approved by
		Document type	Document status
		Title FXP OEM-Basic	DWG No.
Rev.	Date of issue	Sheet 1/1	